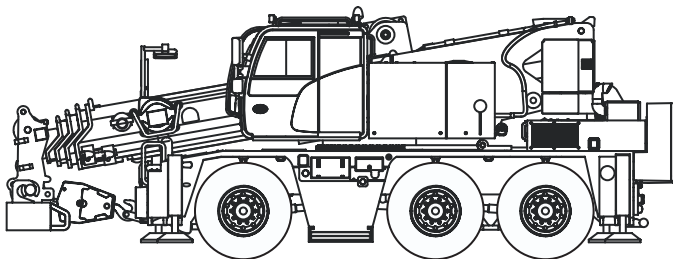


# Build manual



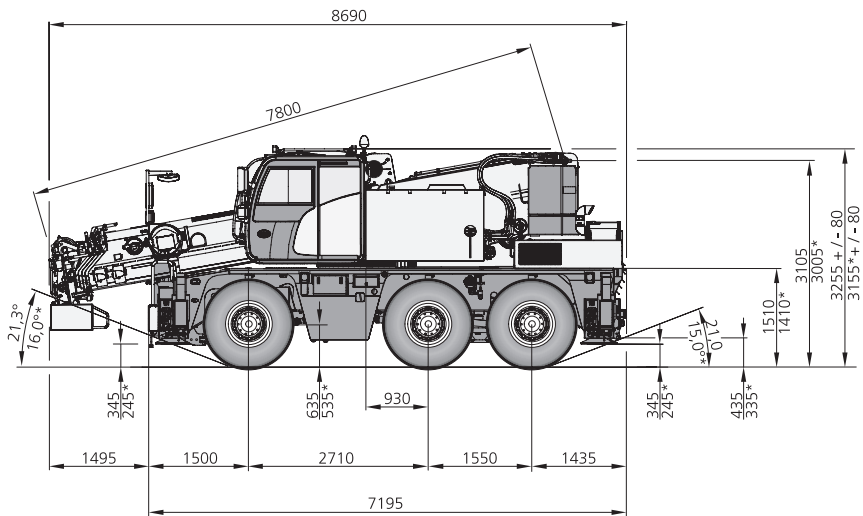
**DEMAG AC 45 CITY**  
ALL TERRAIN CRANE

SCALE 1:50

# **Demag AC 45 City**

## Description 1:1 crane

The Most Compact Crane in the 45-Tonne Capacity Class.  
With a length of 8.69 meters, a width of 2.55 meters, and a height of exactly 3.16 meters, the Demag AC 45 City has the most compact dimensions in its class. In addition, its carrier length of only 7.2 m makes it best in class in this category as well.



## Folding Jib

The Jib can be mounted to the crane as displayed below. Use the supplied short pin to fixate the jib on the back.



## Outriggers and pads

The outrigger pads can be stored in the aluminum boxes between the front and middle axles. Extrude the outriggers and turn the bottom pads to raise the crane from the ground.



## Operate the main boom

Raise the boom to the desired angle and secure the main cylinder. The winch can be operated with the special Demag tool.



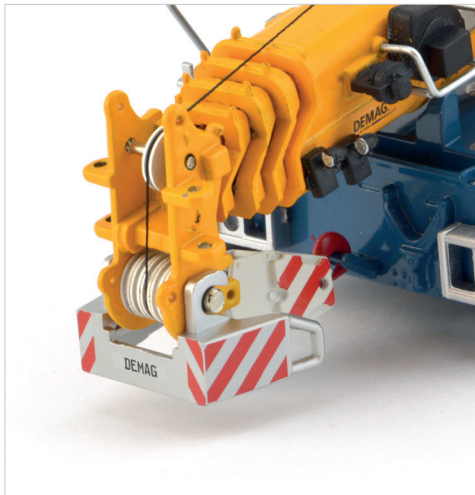
# Boom setup

The boom can be extended four times. Attach the Jib with the supplied long pins to reach a higher setup of either 50% or 100%.



## Additional features

The separate bumper can be hooked on the tip of the boom. stairs on both sides can be folded downwards as displayed below.





## Wheel sizes

We have a version with large wheels and a version with small wheels available. Just like the real crane.





Enjoy the little things!



Industrial Merchandising Concepts B.V.

HEAD OFFICE  
Peppelkade 23  
3992 AL Houten  
The Netherlands

+31 (0)30 721 0661  
[info@imcmodels.eu](mailto:info@imcmodels.eu)